

TRINER SCALE

Rate Chip Installation

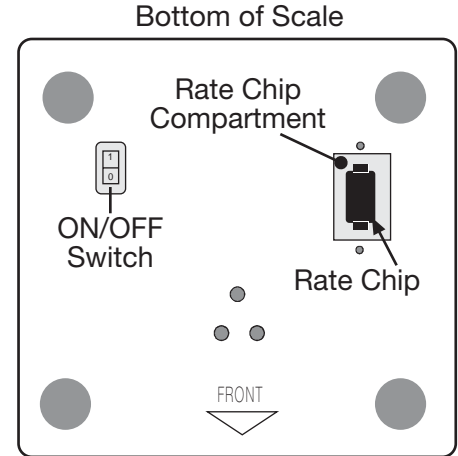
Instructions For:

Scale Model Part No.
TS-70PRC002

To install your new Rate Chip:

1. Turn the scale off and unplug the AC adapter from the wall outlet. If the scale is connected to a remote device, unplug that connection also.
2. Gently turn the scale over and locate the Rate Chip Compartment, which is covered by a small plate. (See drawing at right)
3. Remove the Rate Chip Compartment cover by removing the screws.

4. Remove the old Rate Chip. Tabs on the chip facilitate removal. You may use your fingers to pry the Rate Chip out, or gently pry out using a flat blade screwdriver.
5. Install the new Rate Chip in the socket by pressing gently until it is completely seated in the socket. The socket will only allow installation in one direction.
6. Replace the Rate Chip Compartment cover and mounting screw. Return scale to its upright position.
7. Reconnect the AC adapter.
8. Your scale is now ready for use with its new, updated rates.



Triner Scale & Mfg. Co., Inc.
8411 Hacks Cross Road
Olive Branch, MS 38654-4010
TEL: 1-662-890-2385 or
1-800-238-0152

TS-70P

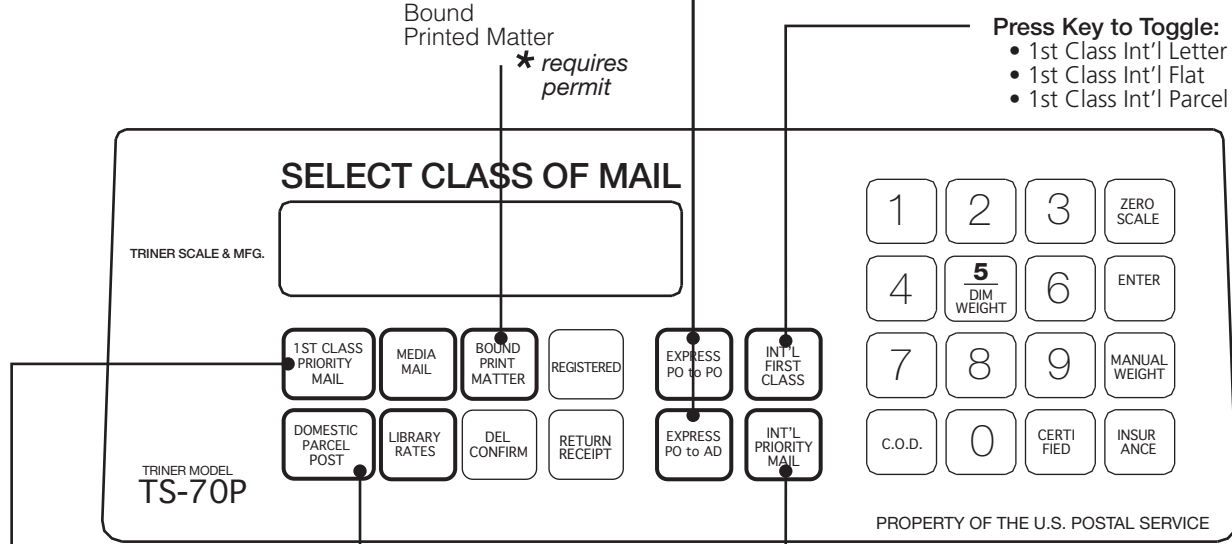
Primary Services for USPS RATES

Press Either Key to Toggle:

- Express Mail
- Express Mail Surcharge (Sunday & Holiday Delivery)

Press Key to Toggle:

- 1st Class Int'l Letter
- 1st Class Int'l Flat
- 1st Class Int'l Parcel



Bound Printed Matter
* requires permit

TRINER SCALE & MFG.

SELECT CLASS OF MAIL

TRINER MODEL
TS-70P

PROPERTY OF THE U.S. POSTAL SERVICE

Press Key to Toggle:

- 1st Class Letter
- 1st Class Flat
- 1st Class Parcel
- Priority Mail
- Priority Flat Envelope, Regular
- Priority Flat Rate Envelope, Legal
- Priority Flat Rate Envelope, Padded
- Priority Flat Box, Small
- Priority Flat Box, Medium
- Priority Flat Box, Large

(Standard Post)

Press Key to Toggle:

- Priority Int'l
- Priority Int'l Flat Envelope
- Priority Int'l Flat Box, Small
- Priority Int'l Flat Box, Medium
- Priority Int'l Flat Box, Large