



Ball Deck Scale Installation

The Triner Scale model BDS-97 x 129 is a two-piece Ball Deck Scale system with adjustable precision leveling feet. When the two platforms are connected to the digital indicator they will act as a single large weighing platform.

General Notes

1. The interface cables that connect the scale platforms to the Digital Indicator can be found under the top access junction box panel.
2. Maintain a minimum of 5/8" clearance between the edge of the scale and any adjacent decking.
3. NEVER weld anything to the scale platform. The scale Load Cells can be permanently damaged!

General Installation Procedure – See Figures 1, 2 and 3 for reference.

1. Screw the eight (8) leveling feet all the way into the load cells. The load cells can be found in the four corners of each platform.
2. Set the platforms into the location of intended use. Center the platforms and make sure there is a minimum of 5/8" clearance around the perimeter of the system and 1/2" of space between the platforms.
3. With a flat head screw driver adjust all the leveling feet so the system is level and at the desired height. **Note:** Make sure the scale platforms are not "rocking" corner to corner and that there is equal pressure on all of the leveling feet.
4. Lift a scale platform up high enough to gain access to the leveling foot jam nuts. Tighten all four (4) jam nuts against the load cell with a 3/4" open end wrench.
5. Attach four (4) Foot Retaining Plates to the base all four leveling feet using some tape to temporarily hold them in place. Point the Foot Retaining Plates diagonally towards the inside of the scale. The small hole in the Foot Retaining Plates should line up with the corner ball transfer hole.
6. Lower the platform into place then repeat steps 4-6 with the remaining scale platform.
7. Once the platforms are in the final position, drill 1/2" holes approximately 5" deep in the concrete. Secure the foot retaining plates to the floor using the anchor bolts provided. **Note:** Before drilling the holes make sure the hole in the foot retaining plates lines up with the corner ball transfer hole.
8. Locate and remove the top access panel where the junction box is located.
9. Connect the interface cables to the digital indicator. The cables should be routed through the hole in the bottom of the scale.
10. Install the ball transfer units (192) into each of the holes.
11. Power the indicator on, press the Zero button if needed. The scale is ready for use.

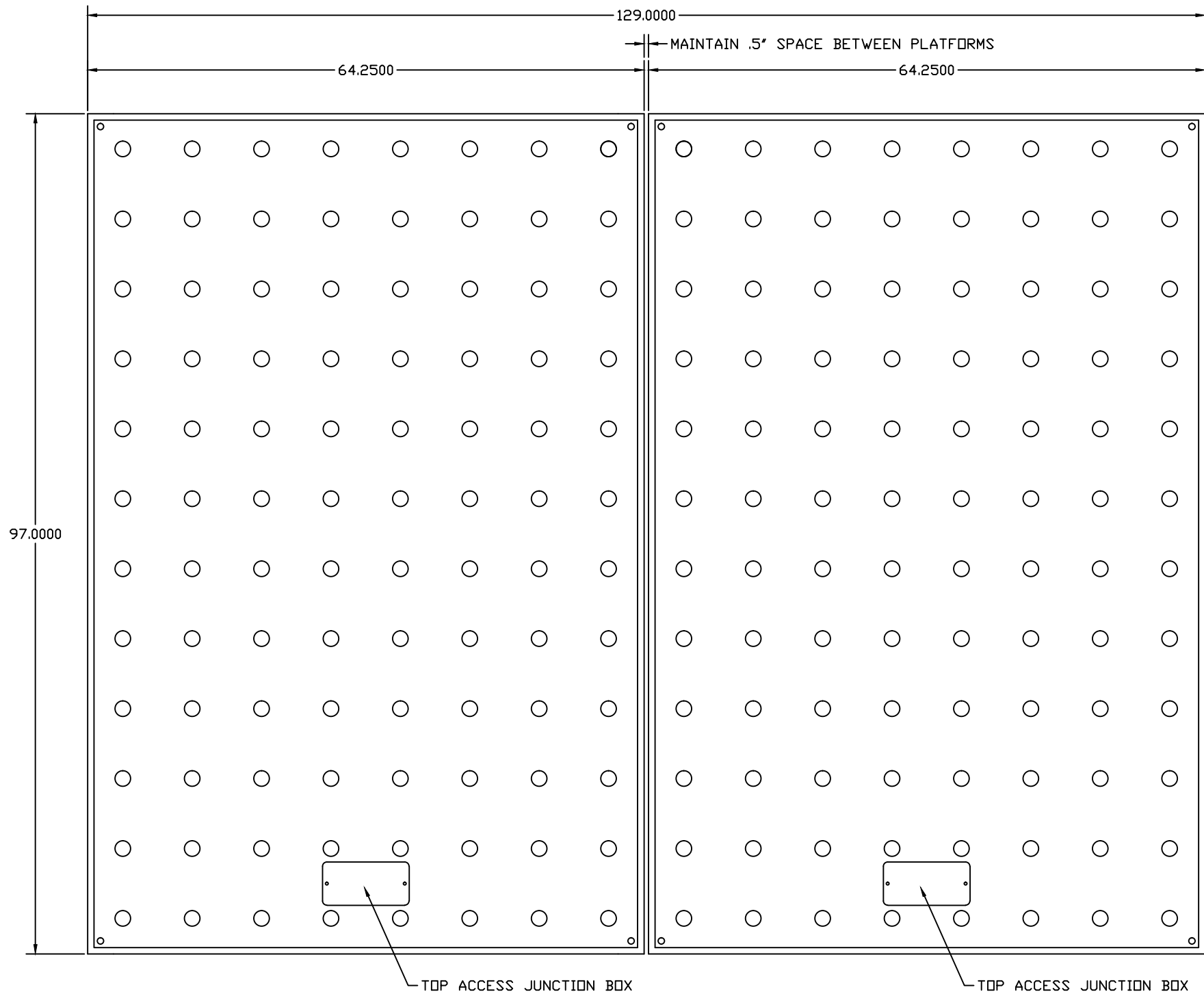


FIGURE 1
BALL DECK SCALE TOP VIEW

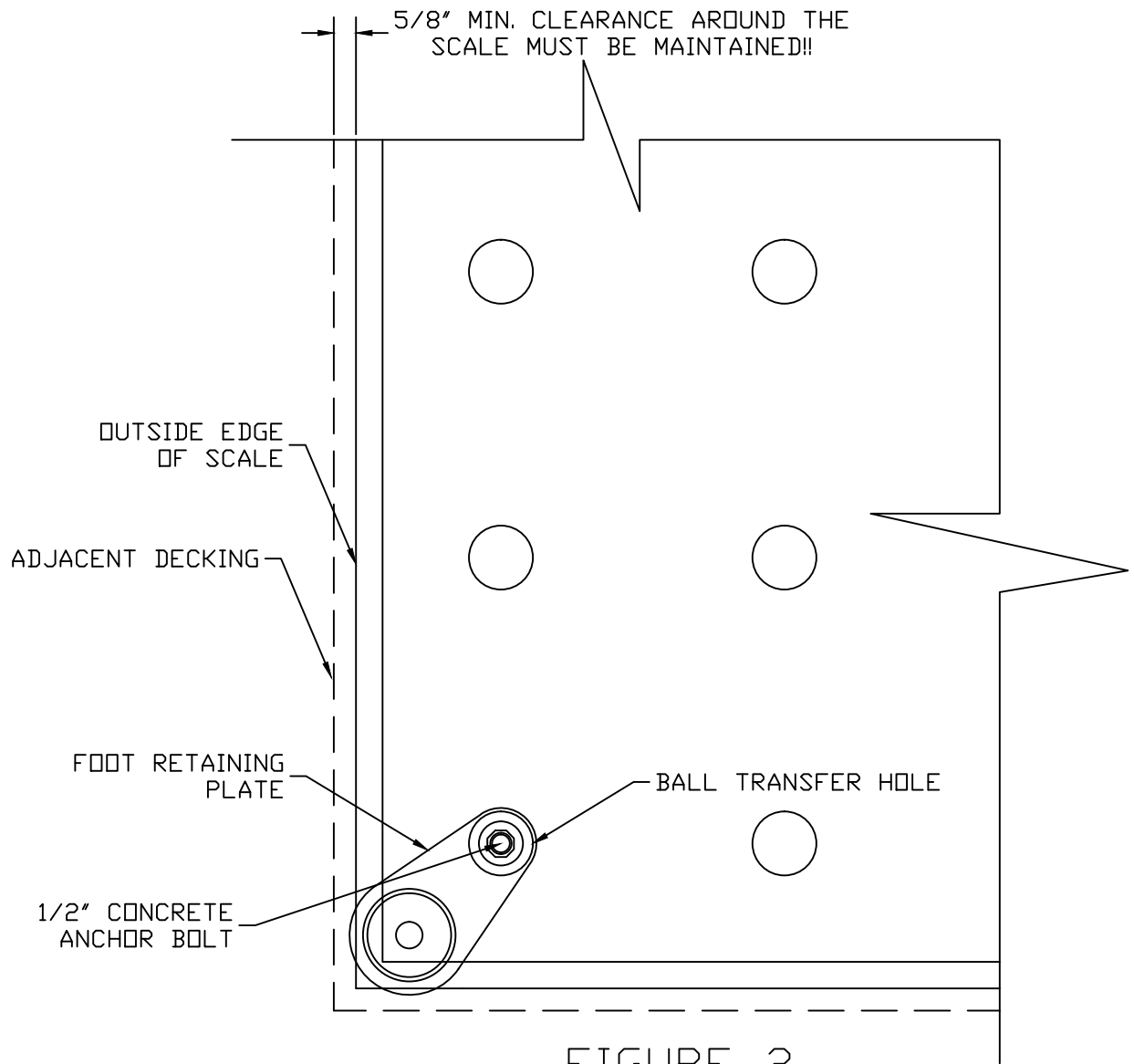


FIGURE 2
TYPICAL CORNER DETAIL
TOP VIEW

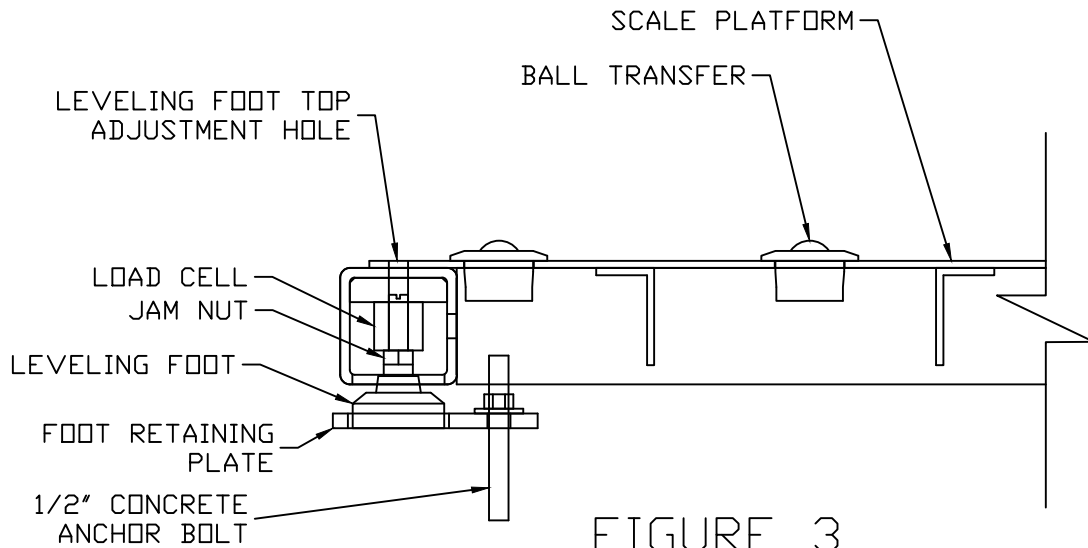


FIGURE 3
TYPICAL CORNER DETAIL
SIDE VIEW