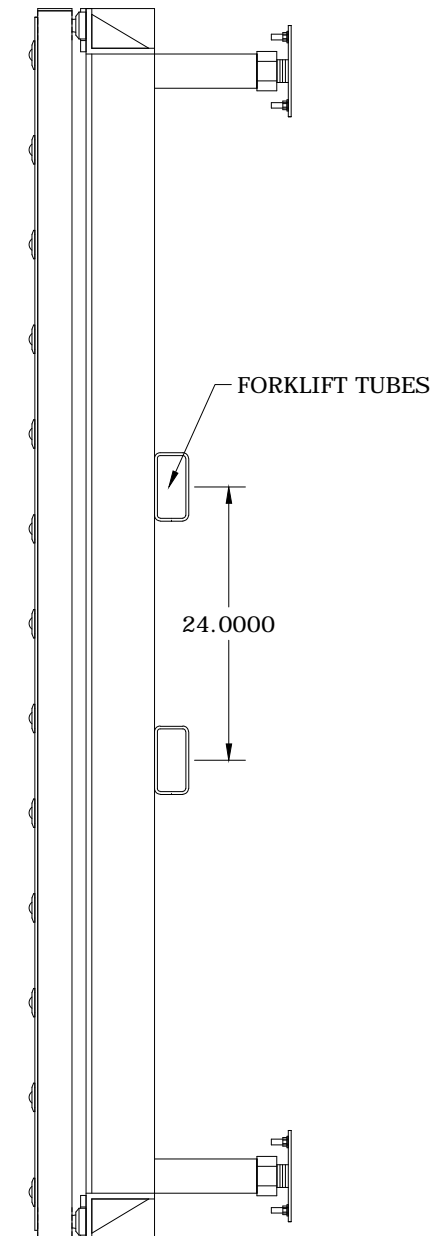
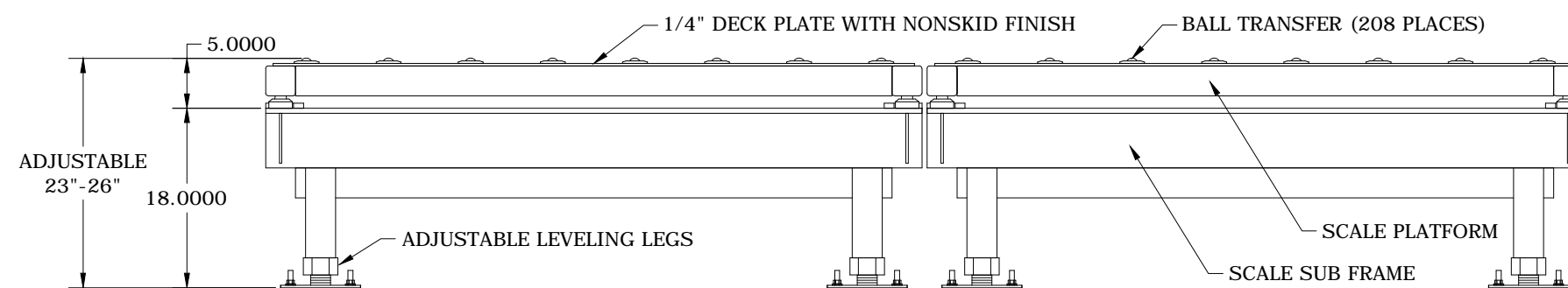


TOP VIEW

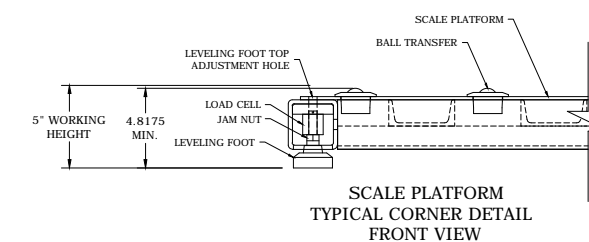


RIGHT SIDE VIEW



FRONT VIEW

BALL DECK SCALE WITH SUB FRAME
CAPACITY: 15,000 LB X 5 LB



SCALE PLATFORM TYPICAL CORNER DETAIL FRONT VIEW

DRAWN BY: RAY WENDT	DATE: SCALE:	PLOT SCALE: SIZE	PLOT TO FIT DRAWING NAME BALL DECK SCALE
SHEET NUMBER		TRINER SCALE 8411 HACKS CROSS RD OLIVE BRANCH, MS 38654 DRAWING NUMBER BDS-132 X 108	